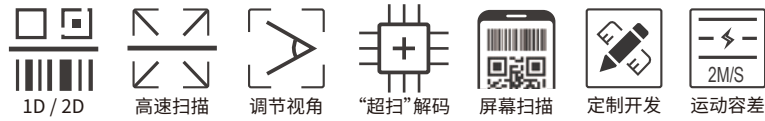




7180QR(DG) 嵌入式扫码平台

Embedded Imager Scanner Scanner



可扫描常见一维/二维码, 支持屏幕扫描, 如: 商品包装、吊牌、快递单、微信、支付宝等

Can scan 1D/2D barcodes, support screen codes, as : packaging, labels, express waybill, wechat, alipay, etc.



性能优势:

- 小巧紧凑且坚固耐用
- 大视角感光器, 识读范围广
- 支持运动识读, 最高可达2M/S, 扫描灵敏
- 多国语言条码信息直传

Performances:

- Small, compact and durable.
- Big vision sensor, large reading range.
- Support sports reading, up to 2M/S, sensitive scanning.
- Multi-languages direct transfer.

7180QR(DG)

技术规格书 / Technical specification

物理参数 / Physical Characteristics

尺寸/Dimensions:	80mm x 70mm x 50mm
重量/Weight:	100g
电压/Voltage:	5 VDC
电流/Current:	400mA(Operating)

识读参数 / Performance Characteristics

图像传感器/Image(Pixels):	640 p(H) x 480 p(V)
光源/Light Source:	照明/illumination: 617nm RED LED
视场角度/Field of View:	水平(H) $\geq 50^\circ$ 垂直(V) $\geq 40^\circ$
灵敏度/Roll/Pitch/Yaw:	倾斜/Pitch $\pm 65^\circ$ 旋转/Yaw 360° 偏转/Roll $\pm 60^\circ$
运动容差/Motion Tolerances:	最高2m/s / up to 2 meters per second
打印对比度/Print Contrast:	$\geq 20\%$
通讯接口/Interfaces Supported:	USB、RS232
识读精度/Minimal Resolution:	$\geq 5\text{mil}$
识读码制 Decode Capability:	一维条码/1D: UPC, EAN, Code 128, Code 39, Code 93, Code 11, Matrix 2 of 5, Interleaved 2 of 5, Codabar, etc.
	二维条码/2D: QR Code, MicroQR, PDF417, MicroPDF417, Data Matrix, Maxicode, Aztec, etc.

用户环境 / User Environment

工作温度/Operating Temperature:	0°C-50°C
存储温度/Storage Temperature:	-40°C-70°C
湿度/Humidity:	相对湿度0%-95%, 无凝结 / 0% to 95% relative humidity, non-condensing
抗震动/Shock Specifications:	可承受1.5m (5')的跌落 / Designed to withstand 0.3m (5') drops
环境光免疫/Ambient Light Immunity:	100.000 Lux.

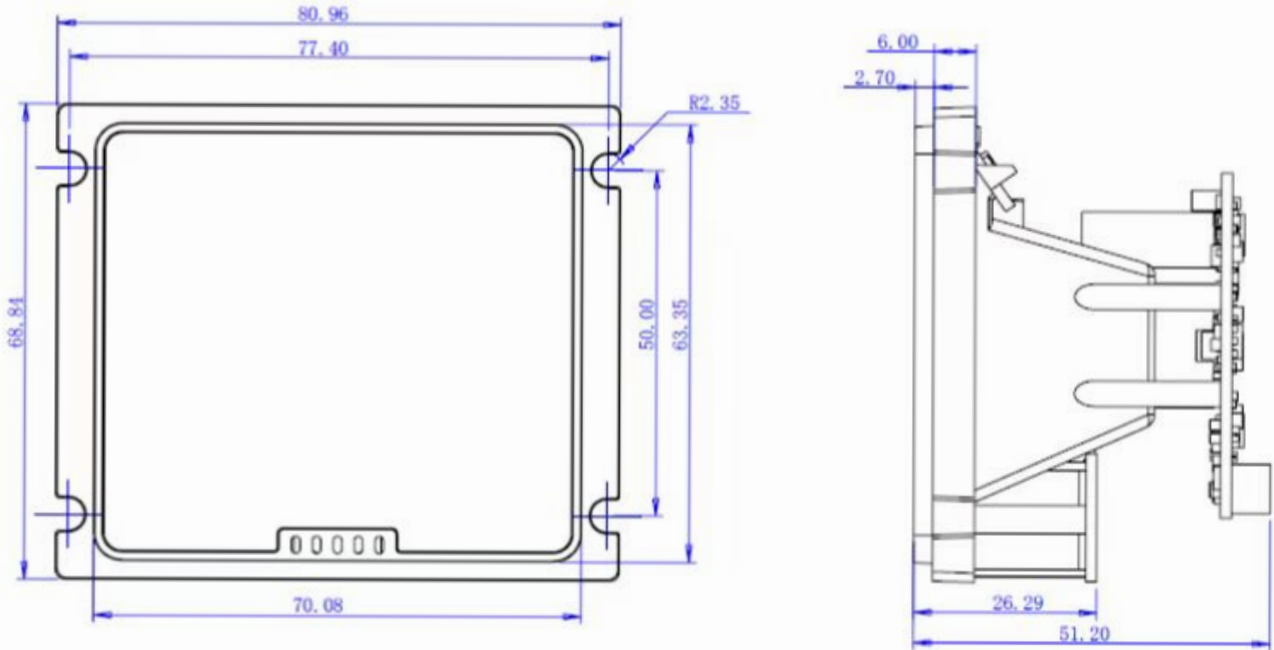
典型码识读距离 / Decode Ranges

Code 39 (5 mil):	0mm-40mm
100% Upca (13 mil):	10mm-130mm

Performance may be impacted by bar code quality and environmental conditions.
性能可能会受到条形码质量和环境条件的影响 注:以上参数如有变更,以最新资料为准。



尺寸2D



接口定义

9PIN连接器PIN脚	定义
1	编织网屏蔽
2	NC
3	VCC 5V
4	NC
5	RXD(扫描器接收数据)
6	TXD(扫描器数据输出)
7	GND
8	USB_D+
9	USB_D-